

Making a Flat Copy

1. Find the images you need to copy.

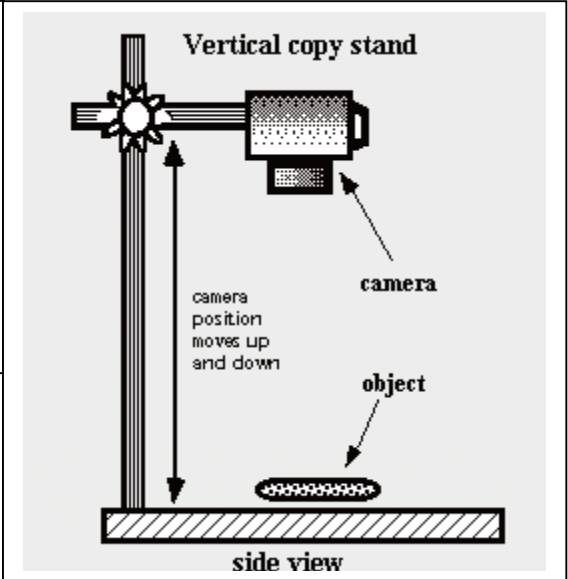


2. Shoot in a suitable place near to a strong **EVEN** light source. No not use flash. Make sure the lighting is muted from net curtains etc or that there aren't any extreme shafts of light.

4. Ensure you have at least 60th sec, adjust the ISO and shutter speed to ensure this.



3. The camera must be parallel with the image you are copying. You might need to use the floor or stand on a chair. The lens must be on 55mm.



5. Take the images, at least 2-3 of each one. Make sure all parallel lines and verticals are as straight as possible. So like this.....



6. Not like this.....



- 7. Open in Photoshop
- 8. Make minor adjustments using lens correction
- 9. Alter levels/curves
- 10. Save a s a jpeg size 8